

NOMADICARK

SUPPLIER OF QUALITY PRODUCTS TO
PROFESSIONAL RV / MOTORHOME BUILDERS

ACG

GLASS-ACRYLIC WINDOWS



ADDRESS

REGENT MILL, REGENT STREET
ROCHDALE OL12 0HQ
ENGLAND



EMAIL

ENQUIRIES@NOMADICARK.COM



TELEPHONE

(+44) 161 706 0040

NomadicArk.com

ACG

FLUSH GLASS- ACRYLIC

Introducing the new NomadicArk ACG double-pane window.
A combination of glass and acrylic to give you the best of both worlds.

This dual-pane window features a privacy-tinted tempered glass exterior paired with an acrylic interior, separated by argon gas to enhance thermal and acoustic insulation. The tempered glass surface offers superior scratch resistance and lower maintenance compared to dual acrylic configurations, while delivering a clean, OEM-grade glass aesthetic.

Tempered glass
exterior pane

Acrylic inner pane

TINT OPTIONS

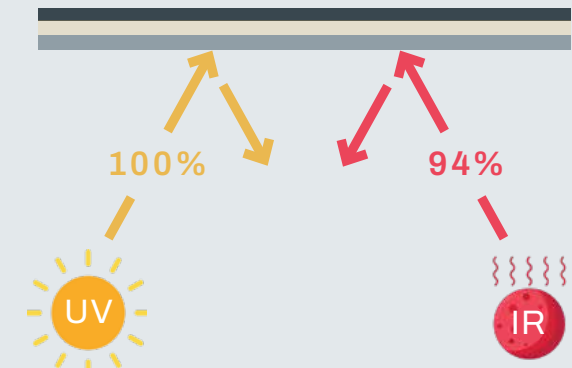
Choose between two light transmission levels to match your style and privacy needs.

- 4% LT : Limo for ultimate privacy
- 13% LT : Standard privacy tint



THERMAL PERFECTION

This hybrid option offers exceptional all-round protection, blocking 100% of UV rays and up to 94% of infrared heat. This helps keep interiors cooler, protects furnishings from fading, and enhances comfort on hot, sunny days.



ALUMINIUM GAS STRUTS

Offering a perfect balance of strength and lightness, making them ideal for applications where weight matters. Their corrosion-resistant properties ensure long-lasting performance in outdoor environments.

Designed for smooth, quiet operation with minimal maintenance, these struts aid reliable and controlled window opening.



HIGH-QUALITY HANDLES

An improved design that comes with an incorporated lock, these handles are built with both security and convenience in mind - ideal for life on the road. To guarantee long-lasting performance, they undergo rigorous testing for strength, durability, and resistance to wear, ensuring they can withstand repeated use and harsh outdoor conditions.

ALUMINIUM FRAME

Lightweight frames feature a slim profile that delivers a clean, modern aesthetic while maximizing window aperture for improved visibility and airflow.

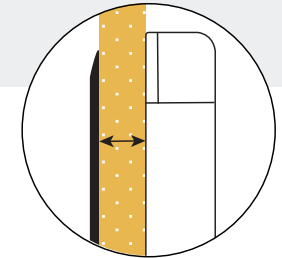
Each frame incorporates a thermal break to minimize heat transfer, helping regulate interior temperatures. Finished in black as standard, with custom powder-coated options available to suit any build.



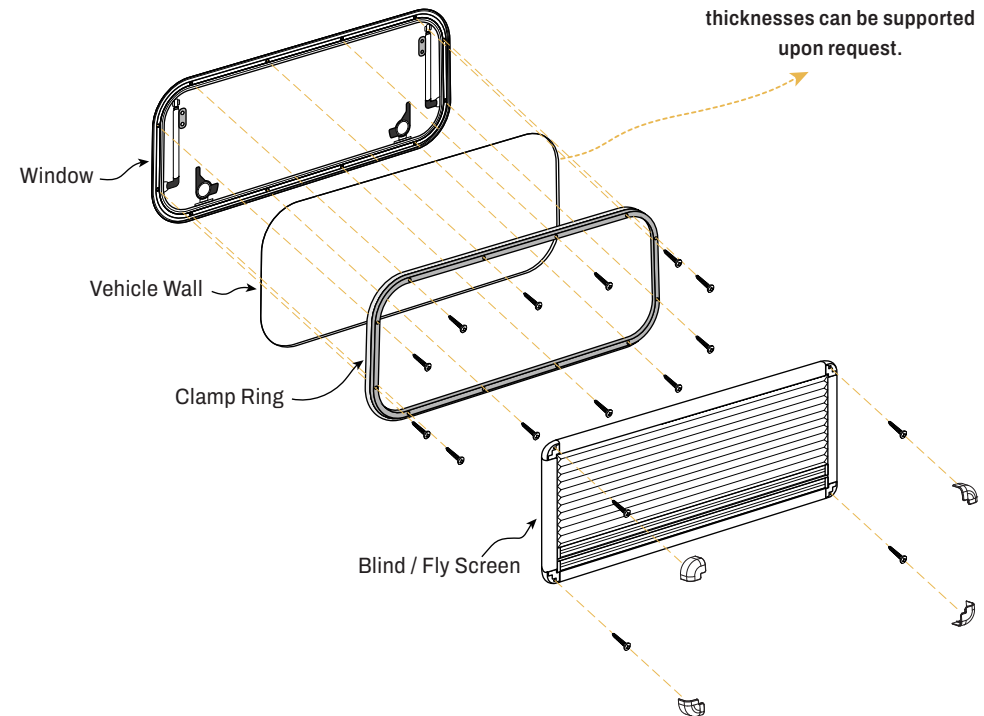
SIMPLE INSTALLATION

Installing our acrylic windows couldn't be simpler thanks to a clamp ring system. Designed with converters in mind, the windows require no complex tools. The inner clamp ring pulls the frame snugly against the vehicle wall, creating a secure, weatherproof seal in minutes.

This straightforward method not only saves time during the build but also ensures a clean, professional finish every time.



Suitable wall thickness
25-35mm. Different
thicknesses can be supported
upon request.



BUILT-IN EXCELLENCE

- ✓ Frames are powder coated in-house in a purpose-built facility to ensure exceptional durability and finish.
- ✓ Acrylic is sourced from a globally recognized manufacturer to ensure maximum longevity and optical clarity.
- ✓ All components meet stringent European and US safety and environmental standards.

CUSTOMIZE

We offer a range of standard window sizes and designs, but we have the capacity to offer tailored solutions. Windows can be made to bespoke sizes, with frame profiles and handles tailored to match your project's vision.



Custom Design



Custom Sizes



Custom Palette

CORNER FINISHES



RADIUS



SQUARE



SIZE EXAMPLES

600 x 250 / 300 x 300
450 x 300 / 700 x 300
450 x 400 / 500 x 450
900 x 450 (*MM)

Customize to your specific requirements.

Fully E-Marked and DOT certified.

BRILLIANT BLINDS

Our acrylic windows offer innovation and flexibility but the journey doesn't stop there.

Each window is equipped with one of the most durable shade systems in the industry, giving you full control over privacy, light, and airflow.

Within the PVC sits a two-tone pleated blind with built-in flyscreen and magnetic connection closure for simple operation.

PRECISION-FIT, HASSLE-FREE INSTALL

Every blind system is made to measure, designed to fit a wide range of wall thicknesses. The easy clamp-ring installation ensures a secure fit without the need for complex modifications.

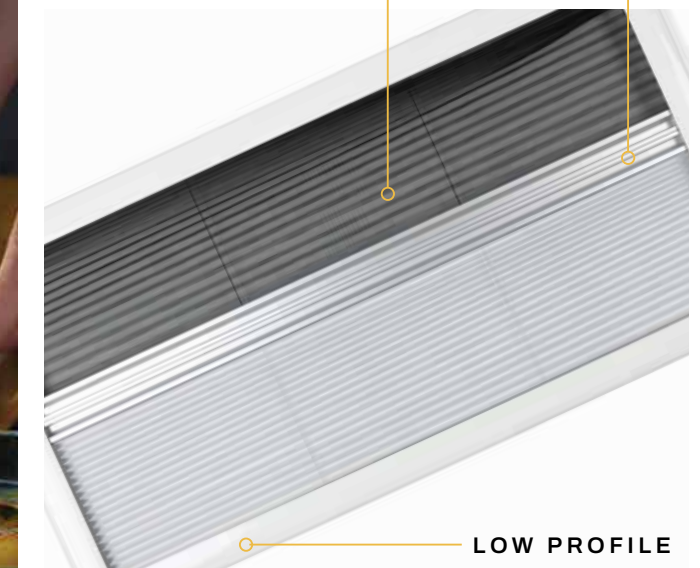
SLEEK AND FUNCTIONAL DESIGN

Available in black, white, or custom finishes to match any space.



INTEGRATED
FLY-SCREEN

MAGNETIC
CONNECTION



A NEW STANDARD

At NomadicArk we believe in creating experiences that are shaped by the way we live. This is in everything we do.

We've built a wealth of knowledge that we pour into each product to provide the features, quality, compelling experience and value the market demands. Our customer-oriented approach means we pay attention to the smallest details to provide attractive and useful products to the trade conversion market.

The strong B2B partnerships we form incite and inspire our future plans, and we're proud of how this focus fosters customer loyalty and repeat business.

PRODUCT QUALITY

To maintain the NomadicArk brand's reputation for quality, we only source from trusted and professional manufacturers.

RELIABLE SERVICE

Leveraging the needs of a large customer base, we're able to secure exceptional service from our suppliers.

SUPPLIER RELATIONSHIPS

Our team proactively visits suppliers' facilities to assess their control procedures and foster collaboration.

INNOVATIVE SOLUTIONS

Our global reach across diverse markets allows us to combine insights and inspire innovative solutions.

SAFETY STOCKS

We can hold large safety stocks to provide peace of mind and mitigate potential supply chain disruptions.

STRONG ARCHITECTURE

We've made significant investment into our proprietary supply control management systems.

